

Datasheet

# 18-port Gigabit Uplink PoE Fiber Switch

**SUN-POE31016PFA-AT**



SUN-POE31016PFA-AT è uno switch in fibra PoE non gestito. Dispone di 16 porte PoE 10/100M e 2 porte RJ45 uplink 10/100/1000M e 2 porte combo TP/SFP uplink 1000M. Le porte 1-16 possono supportare l'alimentazione PoE standard IEEE802.3af/at e la potenza PoE della singola porta raggiunge i 30W. La potenza massima di uscita PoE è di 400W. Come dispositivo di alimentazione PoE, è in grado di rilevare e riconoscere automaticamente le apparecchiature di ricezione dell'alimentazione conformi allo standard e di fornire l'alimentazione attraverso il cavo di rete. Può alimentare apparecchiature terminali POE come AP wireless, webcam, VoIP, citofoni IP. È adatto per hotel, campus, dormitori e piccole e medie imprese.

### ■ 10/100Mbps access, gigabit (TP/SFP) combo port uplink

- ◇ All series supports "10/100M RJ45 port and gigabit TP/SFP combo port" combination, which enables users to flexibly build networking to meet the needs of various scenarios.
- ◇ Support non-blocking wire-speed forwarding.
- ◇ Support full-duplex based on IEEE802.3x and half-duplex based on backpressure.

### ■ Smart PoE power supply function

- ◇ 16\*10/100Base-TX RJ45 ports, meeting the needs of security monitoring, teleconferencing system, wireless coverage, and other scenarios.
- ◇ IEEE 802.3af/at PoE standard, without damaging non-PoE devices.
- ◇ Priority system for PoE port, it will supply power to the high priority level port first when the power budget is insufficient and avoid overwork of the device.

### ■ Stable and reliable

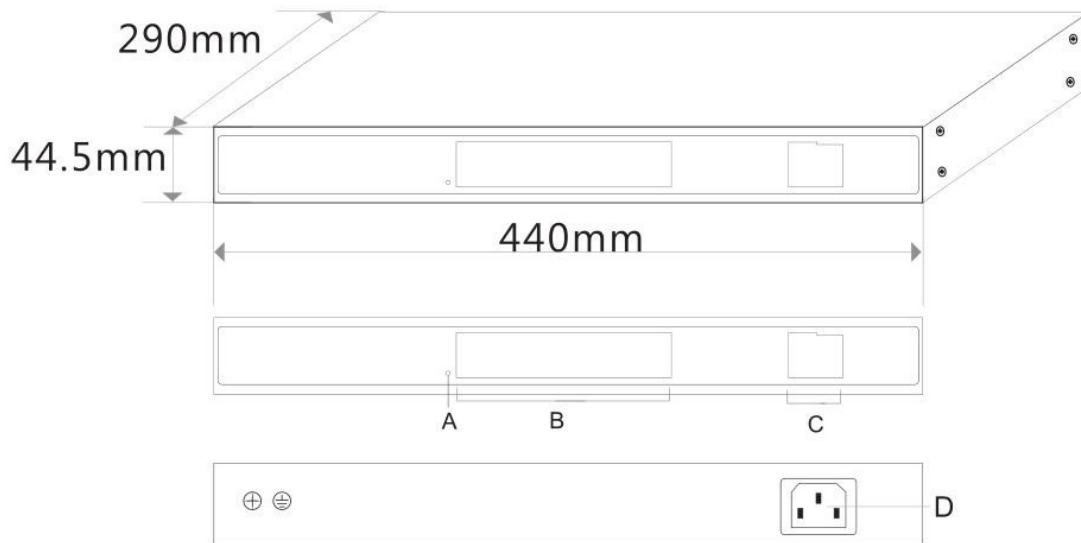
- ◇ Low power consumption, galvanized steel casing.
- ◇ Self-developed power supply, high redundancy design, providing a long term and stable PoE power output.
- ◇ CCC,CE, FCC, RoHS.
- ◇ The user-friendly panel, it can show the device status through the LED indicator of PWR, Link, PoE.
- ◇ Plug and play, no configuration, simple and convenient.
- ◇ Support desktop and 1U/19 inch cabinet installation.

## TECHNICAL SPECIFICATION

Model	POE31016PFA	POE31016PFA-at
<b>Interface Characteristics</b>		
Fixed Port	16*10/100Base-TX PoE ports (Data/Power) 2*10/100/1000M uplink RJ45 ports (Data) 2*1000M uplink SFP slot ports (combo port)	
Ethernet Port	10/100Base-T(X) ,10/100/1000Base-T automatic detection, full/half Duplex MDI/MDI-X adaptive	
Twisted Pair Transmission	10BASE-T: Cat3,4,5 UTP(≤100 meter) 100BASE-TX: Cat5 or later UTP(≤100 meter) 1000BASE-T: Cat5e or later UTP(≤100 meter)	
SFP Slot Port	Gigabit SFP optical fiber interface, default matching optical modules (optional order single-mode / multi-mode, single fiber / dual fiber optical module. LC)	
Optical Cable/ Distance	Multi-mode: 850nm /0 ~ 550M, single-mode: 1310nm /0 ~ 40KM, 1550nm/0 ~ 120KM.	
<b>Chip Parameter</b>		
Network Protocol	IEEE802.3 10BASE-T, IEEE802.3i 10Base-T IEEE802.3u 100Base-TX, IEEE802.3ab 1000Base-T IEEE802.3z 1000Base-X, IEEE802.3x	
Forwarding Mode	Store and Forward(Full Wire Speed)	
Switching Capacity	14.8Gbps (Non-blocking)	
Forwarding Rate@64byte	5.36Mpps	
MAC	16K	
Buffer Memory	4M	
Jumbo Frame	10K	
LED Indicator	Power:PWR (green), Network: Link, Link/Act (yellow), POE: PoE(green), Speed:1000M (green)	
<b>PoE &amp; Power Supply</b>		
PoE Port	Port 1 to 16 IEEE802.3af/at @ POE	

Power Supply Pin	Default 1/2 (+), 3/6 (-) Optional: 4/5(+),7/8(-)	
Max Power Per Port	30W, IEEE802.3af/at	
Total PWR / Input Voltage	250W(AC100-240V)	400W(AC100-240V)
Power Consumption	Standby<15W,Full load<250W	Standby<20W, Full load<400W
Power Supply	Built in power supply. AC100~240V 50-60Hz 4.1A	Built in power supply. AC100~240V 50-60Hz 5.0A
<b>Physical Parameter</b>		
Operation TEMP / Humidity	-20~+55°C, 5%~90% RH Non condensing	
Storage TEMP / Humidity	-40~+75°C, 5%~95% RH Non condensing	
Dimension (L*W*H)	440*290*44.5mm	
Net /Gross Weight	<2.8kg/<3.4kg	<3.0kg /<3.6kg
Installation	Desktop, wall-mounted,19 inch 1U cabinet	
<b>Certification &amp; Warranty</b>		
Lightning protection / protection level	Lightning protection: 4KV 8/20us; Protection level: IP30	
Certification	CCC,CE mark, commercial; CE/LVD EN60950;FCC Part 15 Class B; RoHS	
Warranty	3 years, lifelong maintenance.	

## DIMENSION



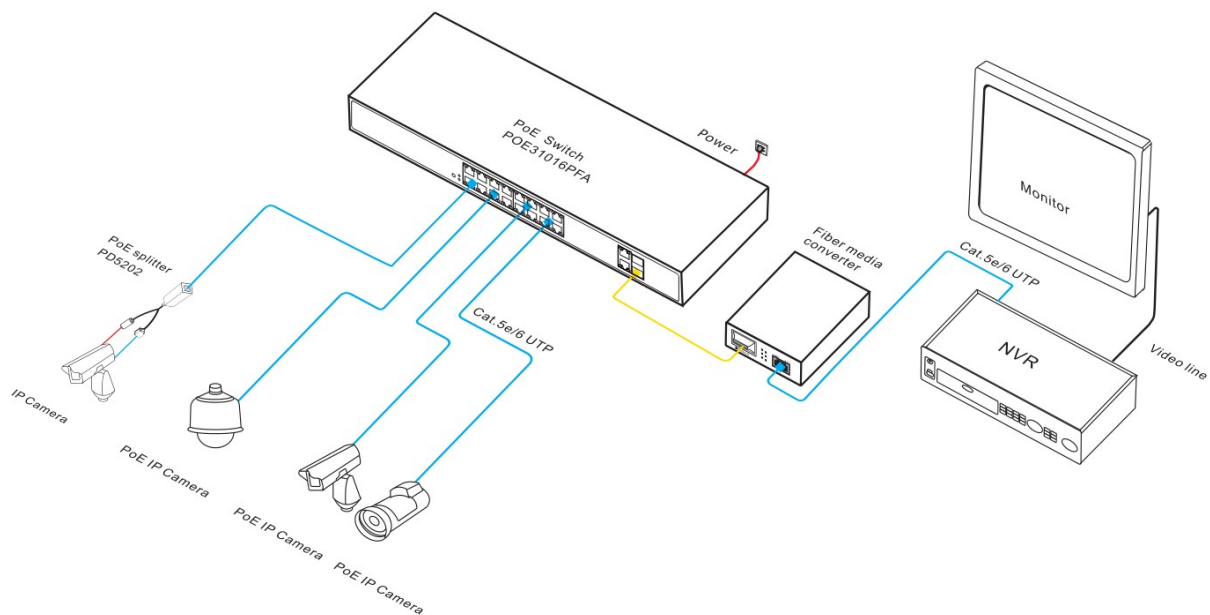
A. Working Indicator

B. 16\*10/100M PoE Ports

C. 2\*10/100/1000M Combo Ports

D. Power Input Port AC100-240V, 50/60Hz

## APPLICATION



## ORDERING INFORMATION

Model	Description
POE31016PFA	Unmanaged PoE fiber switch with 16*10/100M RJ45 ports and 2*10/100/1000M uplink RJ45 ports and 2*1000M TP/SFP(combo port) ports, Port 1-16 can support IEEE802.3 af/at. Built-in 250W power supply. Support 1U/19 inch cabinet installation.
POE31016PFA-at	Unmanaged PoE fiber switch with 16*10/100M RJ45 ports and 2*10/100/1000M uplink RJ45 ports and 2*1000M TP/SFP(combo port) ports, Port 1-16 can support IEEE802.3 af/at. Built-in 400W power supply. Support 1U/19 inch cabinet installation.

**Note:** The SFP optical module is not included by default and needs to be purchased separately.

## PACKING LIST

	CONTENT	QTY	UNIT
PACKING LIST	18-port gigabit uplink PoE fiber switch	1	SET
	AC Power Cable	1	PC
	Mounting Kits (Hanging Ears)	1	SET
	User Guide	1	PC
	Warranty Card	1	PC