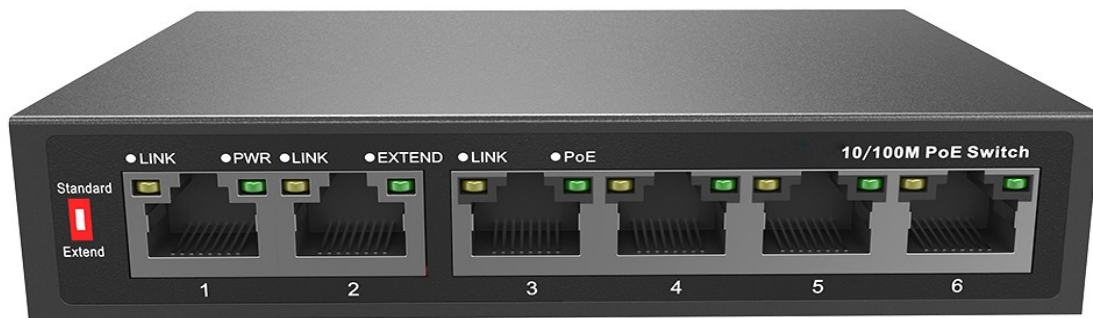


Datasheet

6-Port 10/100Mbps PoE Switch

(SUN-POE31064PL)



SUN-POE31064PL è uno switch PoE non gestito. Dispone di 4 porte PoE 10/100M e 2 porte RJ45 uplink 10/100M. Le porte 3-6 possono supportare l'alimentazione PoE standard IEEE802.3af/at e la potenza PoE della singola porta raggiunge i 30W. La potenza massima di uscita PoE è di 65W. Come dispositivo di alimentazione PoE, è in grado di rilevare e riconoscere automaticamente le apparecchiature di ricezione dell'alimentazione conformi allo standard e di fornire l'alimentazione attraverso il cavo di rete. Può alimentare apparecchiature terminali POE come AP wireless, webcam, VoIP, citofoni IP. È adatto per hotel, campus, dormitori e piccole e medie imprese.

■ 10/100Mbps access,dual RJ45 port uplink

- ◇ 6*10/100Base-TX RJ45 port and uplink dual RJ45 ports ,which is more convenient for users to flexibly set up to meet the network requirements of various scenarios.
- ◇ Support non-blocking wire-speed forwarding.
- ◇ Support full-duplex based on IEEE802.3x and half-duplex based on backpressure.

■ Smart PoE function

- ◇ 4*10/100Base-TX RJ45 ports, meeting the needs of security monitoring, teleconferencing system, wireless coverage, and other scenarios.
- ◇ IEEE802.3af/at PoE standard, without damaging non-PoE devices.

■ Innovative features

- ◇ Long-distance file: When turned on, the rate of port 3-6 is reduced to 10M. Using the existing twisted-pair cable, the limit of 100 meters of twisted-pair transmission can be exceeded, and the transmission distance can reach up to 250 meters; on the other hand, Can solve the problem of poor transmission due to aging of the line.
- ◇ Video Surveillance Mode: Open with long-distance switches. Port 3-6 are isolated from each other but communicate with ports 1-2 to prevent DHCP conflicts, optimize port cache utilization, and reduce broadcast storms.

■ Stable and reliable, easy to operate

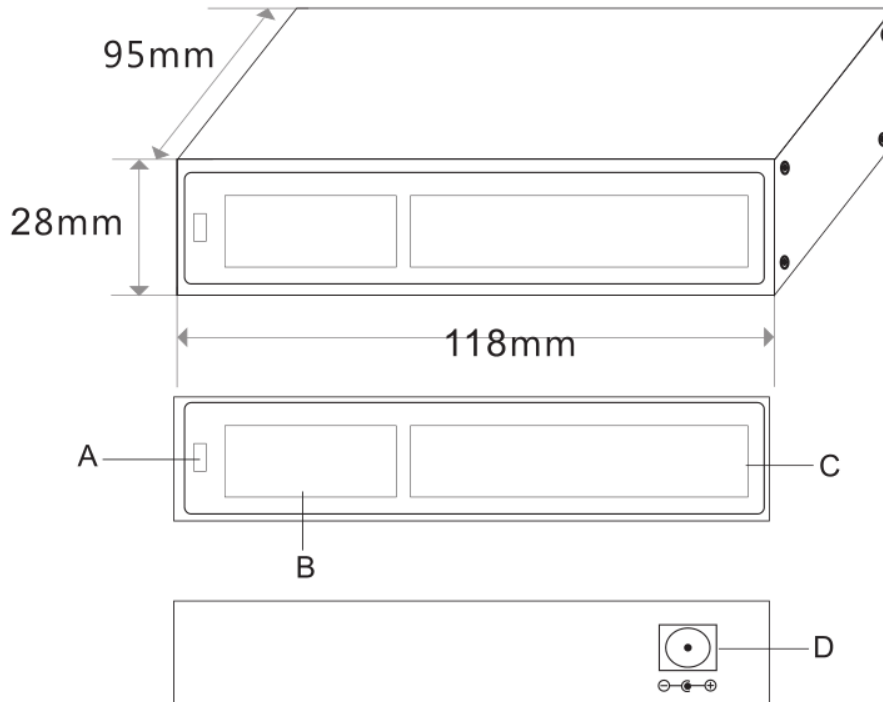
- ◇ Low power consumption, galvanized steel casing, no fan.
- ◇ Self-developed power supply, high redundancy design, providing a long term and stable PoE power output.
- ◇ CCC,CE, FCC, RoHS.
- ◇ Plug and play, no configuration, simple and convenient.
- ◇ The user-friendly panel, it can show the device status through the LED indicator of PWR, Link ,PoE.

TECHNICAL SPECIFICATION

Model	POE31064PL	POE31064PL-at
Interface Characteristics		
Fixed Port	4*10/100Base-TX PoE ports (Data/Power) 2*10/100Base-TX Uplink RJ45 Ports (Data)	
Ethernet Port	Port 1-6 can support 10/100Base-TX automatic detection, full/half Duplex MDI/MDI-X adaptive	
Twisted Pair	10BASE-T: Cat3,4,5 UTP(≤250 meter)	
Transmission	100BASE-TX: Cat5 or later UTP(≤100 meter)	
Functional Switch	1*(Extender+CCTV) Note: When the switch status changes, the PoE switch must be restarted for the switch function to take effect.	
Chip Parameter		
Network Protocol	IEEE802.3 10BASE-T, IEEE802.3i 10Base-T IEEE802.3u 100Base-TX, IEEE802.3x	
Forwarding Mode	Store and Forward(Full Wire Speed)	
Switching Capacity	1.6Gbps(non-blocking)	
Forwarding Rate@64byte	0.89Mpps	
MAC	1K	
Buffer Memory	768K	
LED Indicator	Power: PWR (green), Network: Link (yellow), PoE: PoE (green) Functional switch: EXTEND (green)	
PoE & Power Supply		
PoE Port	Port 3 to 6 IEEE802.3af/at @ POE	
Power Supply Pin	Default 1/2(+), 3/6(-), optional 4/5(+), 7/8(-)	
Max Power Per Port	30W; IEEE802.3af/at	
Total PWR / Input Voltage	65W/ 52VDC	110W/52VDC
Power Consumption	Standby<4W, Full load<65W	Standby<5W, Full load<110W
Power Supply	External power adaptor	External power adaptor

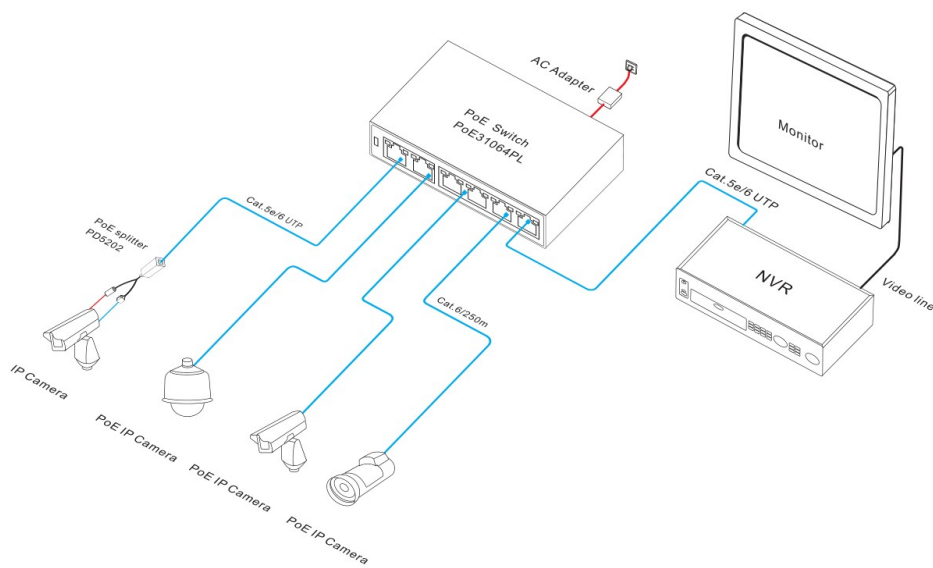
	AC100~240V 50-60Hz 1A	AC100~240V 50-60Hz 2.2A
Physical Parameter		
Operation TEMP / Humidity	-20~+55°C;5%~90% RH Non condensing	
Storage TEMP / Humidity	-40~+75°C;5%~95% RH Non condensing	
Dimension (L*W*H)	118*95*28mm	
Net /Gross Weight	<0.4kg / <0.9kg	
Installation	Desktop, wall mounted	
Certification & Warranty		
Lightning protection / protection level	Lightning protection: 4KV 8/20us; Protection level: IP30	
Certification	CCC;CE mark, commercial; CE/LVD EN60950;FCC Part 15 Class B; RoHS	
Warranty	3 years, lifelong maintenance.	

DIMENSION



- A. Multi-function Switch
- A.2* 10/100M Uplink RJ45 Ports
- B. 4*10/100/1000M PoE Ports
- C. Power Input Port DC48-57V

APPLICATION



ORDERING INFORMATION

Model	Description
POE31064PL	Unmanaged PoE switch with 4*10/100M PoE ports and 2*10/100M uplink RJ45 ports, Port 3-6 can support IEEE802.3af/at PoE standard. Adjust function switch, port 3-6 VLAN isolation or 10M/250m transmission, External 65W power supply.
POE31064PL-at	Unmanaged PoE switch with 4*10/100M PoE ports and 2*10/100M uplink RJ45 ports, Port 3-6 can support IEEE802.3af/at PoE standard. Adjust function switch, port 3-6 VLAN isolation or 10M/250m transmission, External 110W power supply.

PACKING LIST

	CONTENT	QTY	UNIT
PACKING LIST	6-port 10/100Mbps PoE switch	1	SET
	Power Cable	1	PC
	Mounting Kits(hanging Ear)	1	SET
	User Guide	1	PC
	Warranty Card	1	PC

SUNELL ITALIA STARK SOLUTION
 Via 3° Strada n°36 Zona Industriale 95121 Catania (CT)
info@sunellitalia.net