

Datasheet

6-Port Full Gigabit PoE Switch

(SUN-POE33064P)



SUN-POE33064P è uno switch PoE gigabit non gestito. Dispone di 4 porte PoE 10/100/1000M e 2 porte RJ45 uplink 10/100/1000M. La porta 1-4 può supportare lo standard PoE IEEE802.3af/at. La potenza PoE della singola porta raggiunge i 30W e la potenza massima di uscita PoE è di 65W (at-110W). Come dispositivo di alimentazione PoE, è in grado di rilevare e riconoscere automaticamente le apparecchiature di ricezione dell'alimentazione conformi allo standard e di fornire l'alimentazione attraverso il cavo di rete. Può alimentare apparecchiature terminali POE come AP wireless, webcam, VoIP, citofoni IP. È adatto per hotel, campus, dormitori e piccole e medie imprese.

■ **Full gigabit access, full-line speed forwarding**

- ◇ All series support all-line high-speed forwarding, user-flexibly flexible networking, to meet the needs of various scenarios networking;
- ◇ Support non-blocking wire-speed forwarding.
- ◇ Support full-duplex based on IEEE802.3x and half-duplex based on backpressure.

■ **Intelligent PoE power supply function**

- ◇ 4*10/100/1000Base-T RJ45 ports, meeting the needs of security monitoring, teleconferencing system, wireless coverage, and other scenarios.
- ◇ IEEE 802.3af/at PoE standard, without damaging non-PoE devices.
- ◇ Priority system for PoE port, it will supply power to the high priority level port first when the power budget is insufficient and avoid overwork of the device.

■ **Stable and reliable, easy to operate**

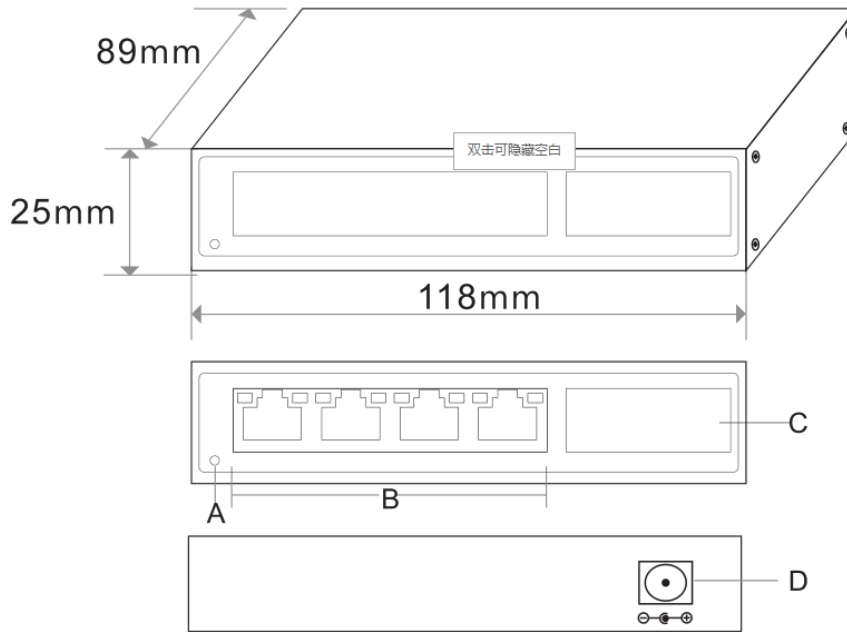
- ◇ CCC, CE, FCC, RoHS.
- ◇ Plug and play, no configuration, simple and convenient.
- ◇ Low power consumption, no fan mute design, galvanized steel metal casing.
- ◇ Self-developed power supply, high redundancy design, providing a long term and stable PoE power output.
- ◇ The user-friendly panel, it can show the device status through the LED indicator of PWR, Link, PoE.

TECHNICAL SPECIFICATION

Model	POE33064P	POE33064P-at
Interface Characteristics		
Fixed Port	4*10/100/1000Base-T PoE port (Data/Power) 2*10/100/1000Base-T uplink RJ45 ports (Data)	
Ethernet Port	10/100/1000Base-T auto-sensing, full/half duplex MDI/MDI-X self-adaption.	
Twisted Pair Transmission	10BASE-T: Cat3,4,5 UTP(≤100 meter) 100BASE-TX: Cat5 or later UTP(≤100 meter) 1000BASE-T: Cat5e or later UTP(≤100 meter)	
Chip Parameter		
Network Protocol	IEEE802.3 10BASE-T; IEEE802.3i 10Base-T; IEEE802.3u 100Base-TX IEEE802.3ab 1000Base-T IEEE802.3x	
Forwarding Mode	Store and Forward(Full Wire Speed)	
Switching Capacity	16Gbps (Non-blocking)	
Forwarding Rate@64byte	8.93Mpps	
MAC	8K	
Buffer Memory	2M	
Jumbo Frame	10K	
LED Indicator	Power: PWR (green), data:Link,(yellow), PoE: PoE (green)	
Reset Switch	Yes, One-button factory reset	
PoE & Power Supply		
PoE Port	Port 1 to 4 IEEE802.3af/at @ POE	
Power Supply Pin	Default 1/2(+),3/6(-), Optional 4/5(+),7/8(-)	
Max Power Per Port	30W; IEEE802.3af/at	
Total PWR / Input Voltage	65W/(DC52V)	110W/(DC52V)
Power Consumption	Standby<5W, Full Load<65W	Standby<6W, Full Load<110W

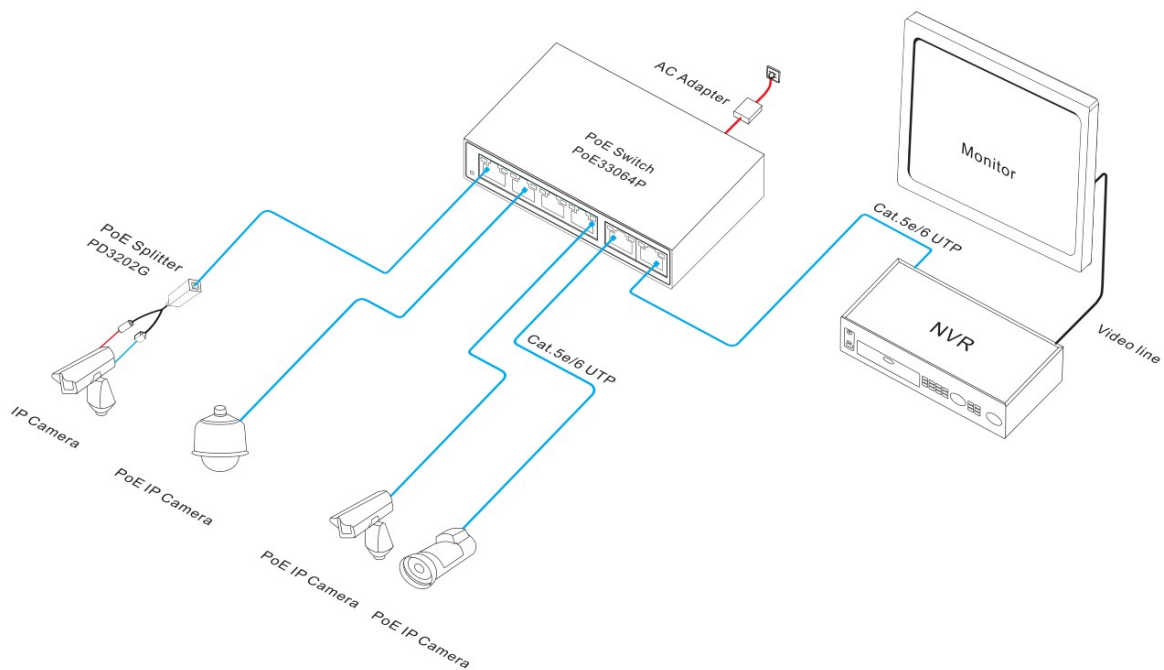
Power Supply	External power supply AC100~240V 50-60Hz 1.1A	External power supply AC100~240V 50-60Hz 2.0A
Physical Parameter		
Operation TEMP / Humidity	-20~+55°C;5%~90% RH Non condensing	
Storage TEMP / Humidity	-40~+75°C;5%~95% RH Non condensing	
Dimension (L*W*H)	118*95*28mm	
Net /Gross Weight	<0.35kg /<1.0kg	
Installation	Desktop type ,wall mounted	
Certification & Warranty		
Lightning protection / protection level	Lightning protection: 4KV 8/20us; Protection level: IP30	
Certification	CCC;CE mark, commercial; CE/LVD EN60950;FCC Part 15 Class B; RoHS	
Warranty	3 years, lifelong maintenance.	

DIMENSION



- A. Working Indicator
- B. 4*10/100/1000M PoE Ports
- C. 2*10/100/1000M Uplink RJ45 Ports
- D. Power Input Port DC48-57V

APPLICATION



ORDERING INFORMATION

Model	Description
POE33064P	Unmanaged PoE switch with 4*10/100/1000M PoE ports and 2*10/100/1000M uplink RJ45 ports. Port 1-4 can support IEEE802.3af/at PoE standard, external 65W power supply .
POE33064P-at	Unmanaged PoE switch with 4*10/100/1000M PoE ports and 2*10/100/1000M uplink RJ45 ports. Port 1-4 can support IEEE802.3af/at PoE standard, external 110W power supply .

PACKING LIST

	CONTENT	QTY	UNIT
PACKING LIST	6-port full gigabit PoE switch	1	SET
	AC power cable+ power adapter	1	SET
	Mounting Kits (Hanging Ear)	1	SET
	User Guide	1	PC
	Warranty Card	1	PC

SUNELL ITALIA STARK SOLUTION

Via 3° Strada n°36 Zona Industriale 95121 Catania (CT)

info@sunellitalia.net